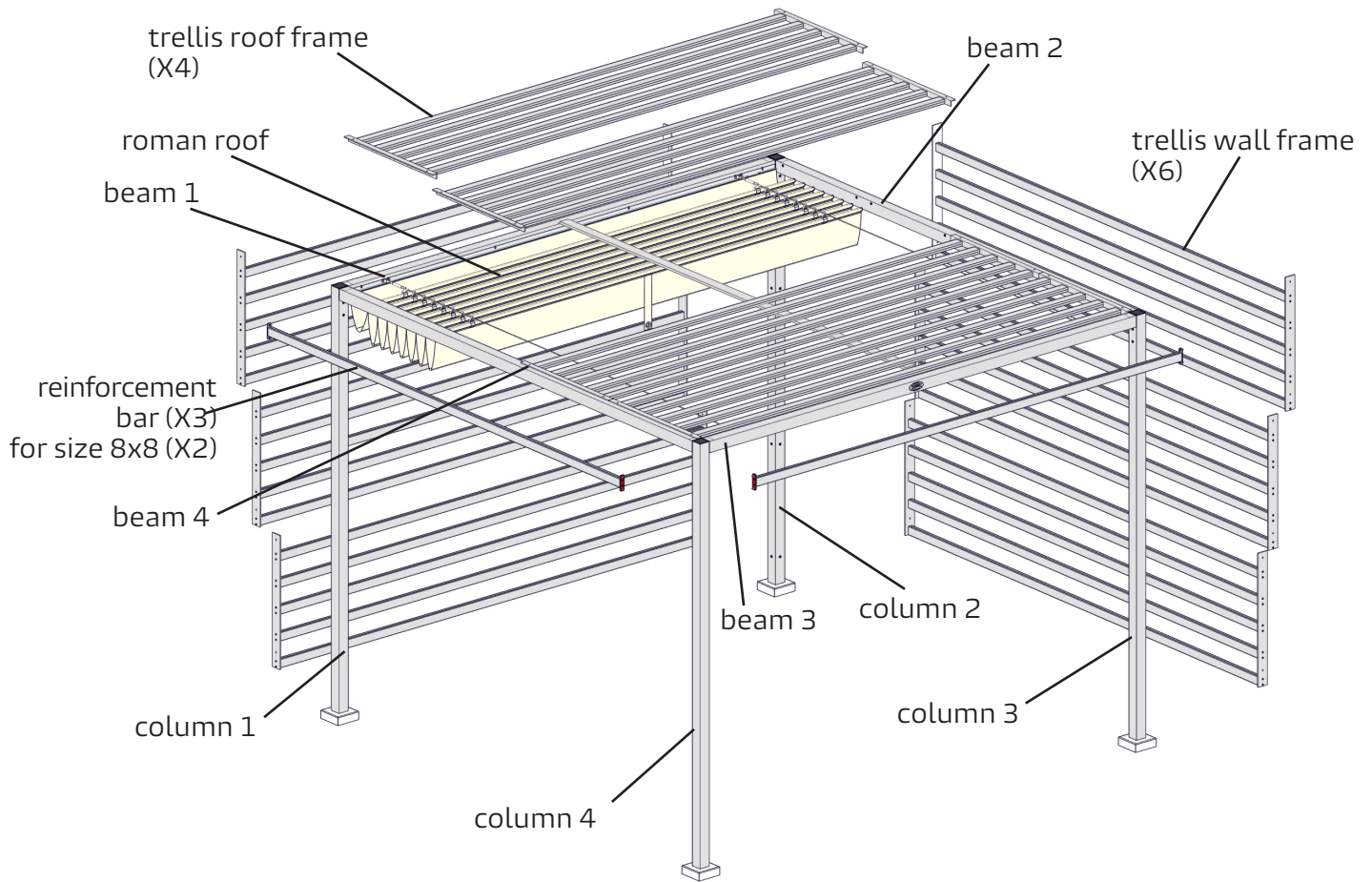


TUUCI ECLIPSE

Recommended: 2 ladders; minimum height 14' ft (not included)

This assembly may require 3 people.



columns & beams installation

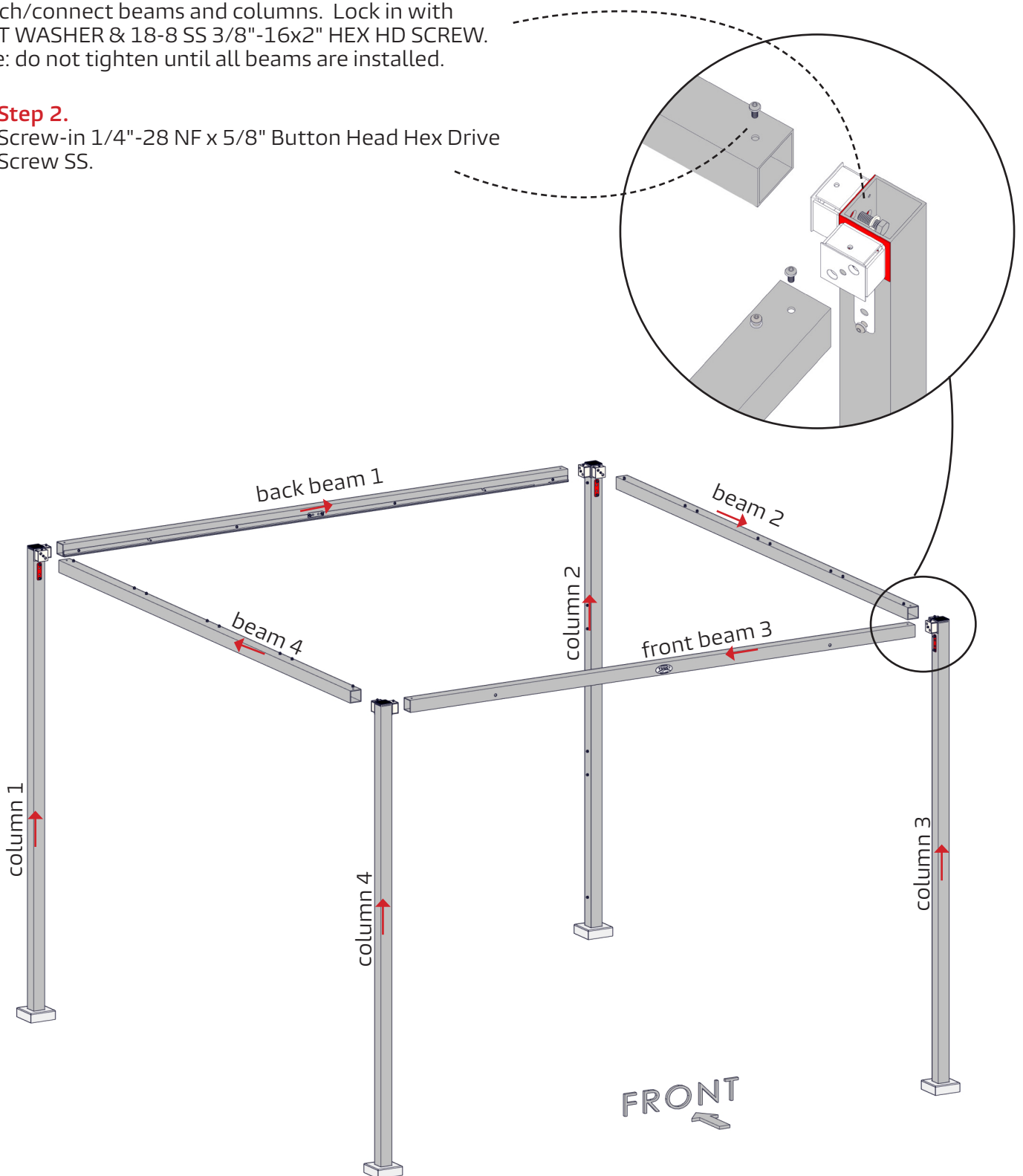
note: columns & beams are labeled

Step 1.

Attach/connect beams and columns. Lock in with SPLIT WASHER & 18-8 SS 3/8"-16x2" HEX HD SCREW.
Note: do not tighten until all beams are installed.

Step 2.

Screw-in 1/4"-28 NF x 5/8" Button Head Hex Drive Screw SS.



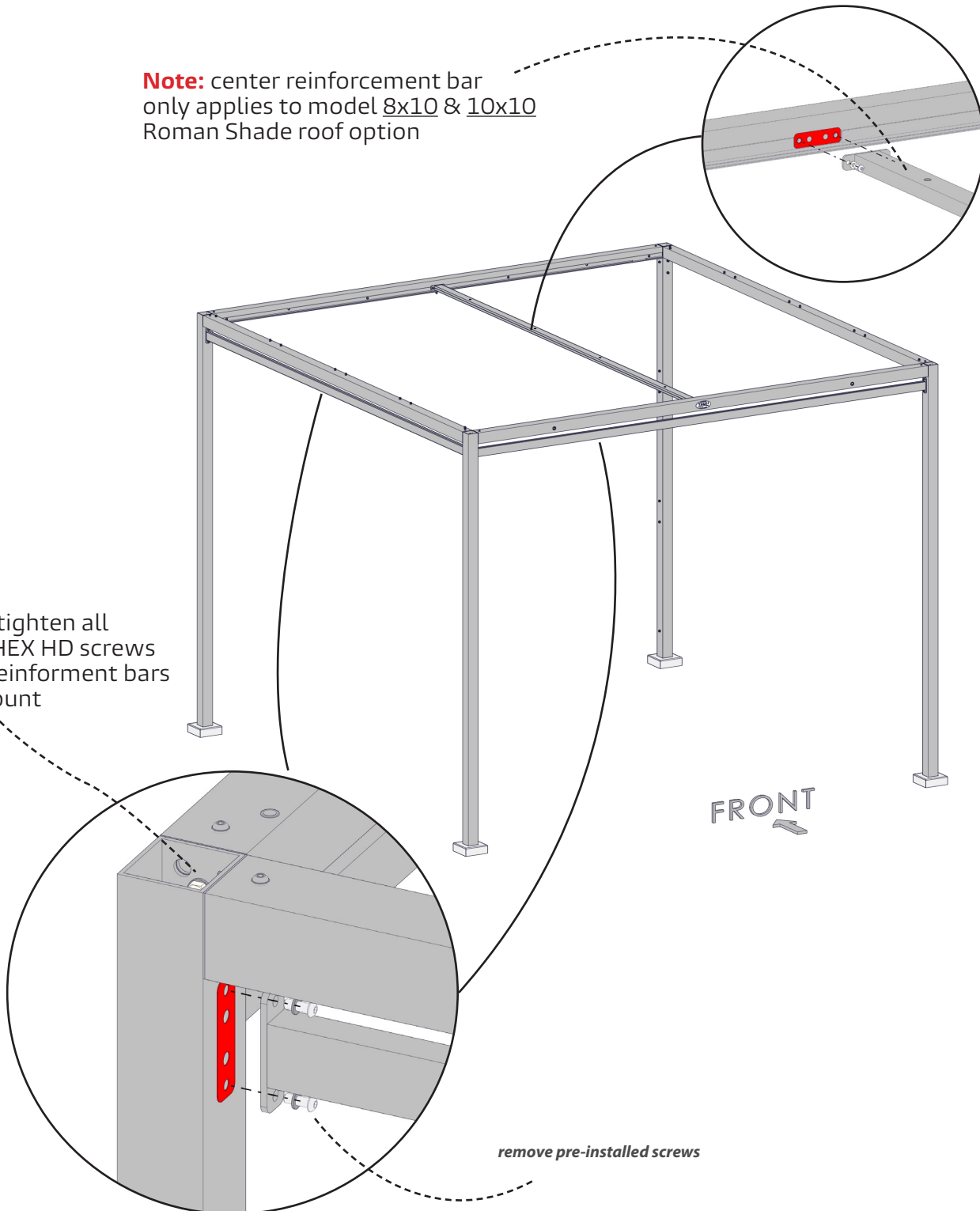
reinforcement bars installation

Step 3.

Install 3 reinforcement bars using the pre-installed:
1/4"-20 x 3/4" ButtonHd.Skt.Cap
Screw 18-8 SS & flat washers

Note: center reinforcement bar
only applies to model 8x10 & 10x10
Roman Shade roof option

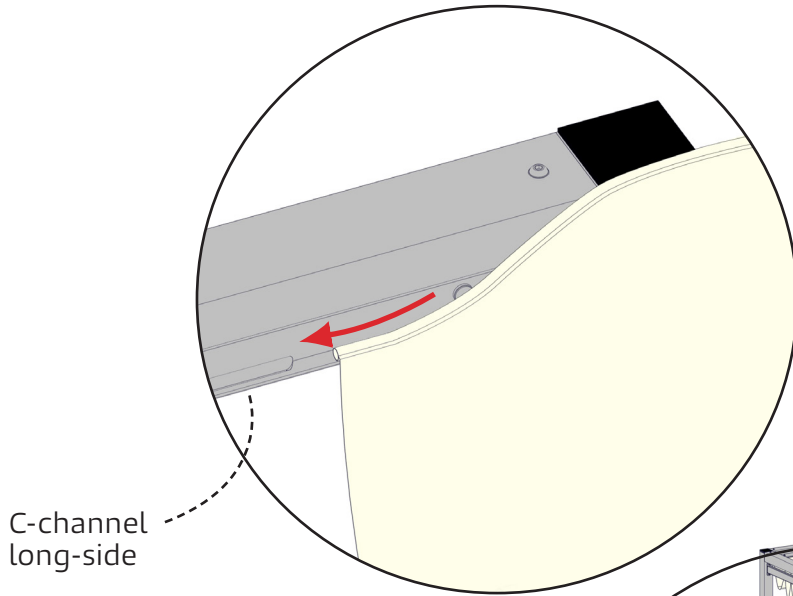
Note: tighten all
inner HEX HD screws
after reinforment bars
are mount



roman roof installation

Step 4.

Slide the end of the roman shade (hooks side up) with piping into the gap on the C-channel. First slide the roof all the way across the long side of the C-channel, then slide the roof across the short side in the other direction.

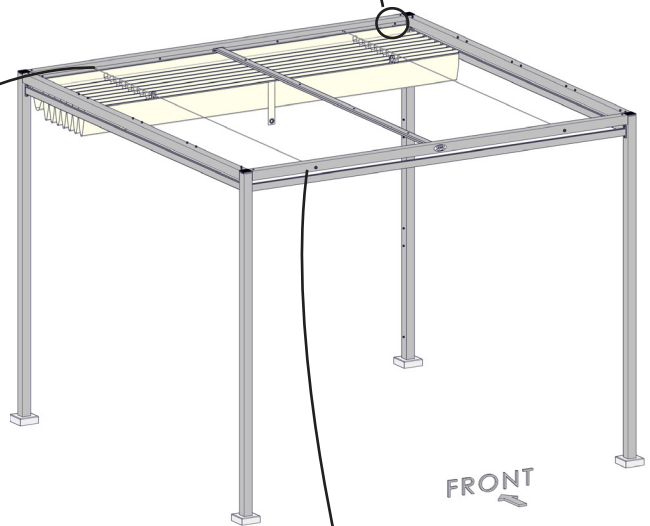
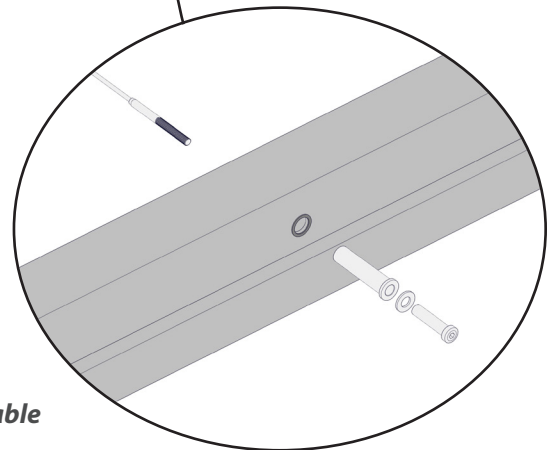
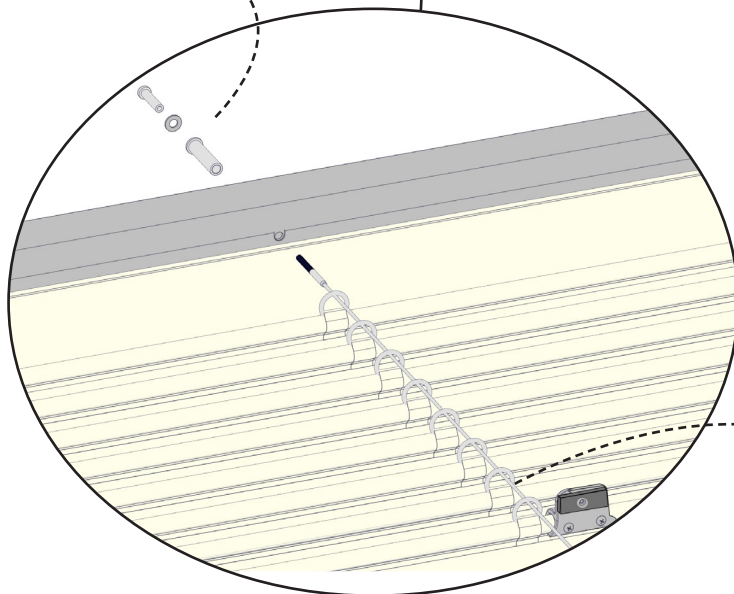


Step 5.

Slide steel cable through rings and screw-in turnbuckle (4-places)

Note: do not fully tension the cable until trellis roof is install on step #7

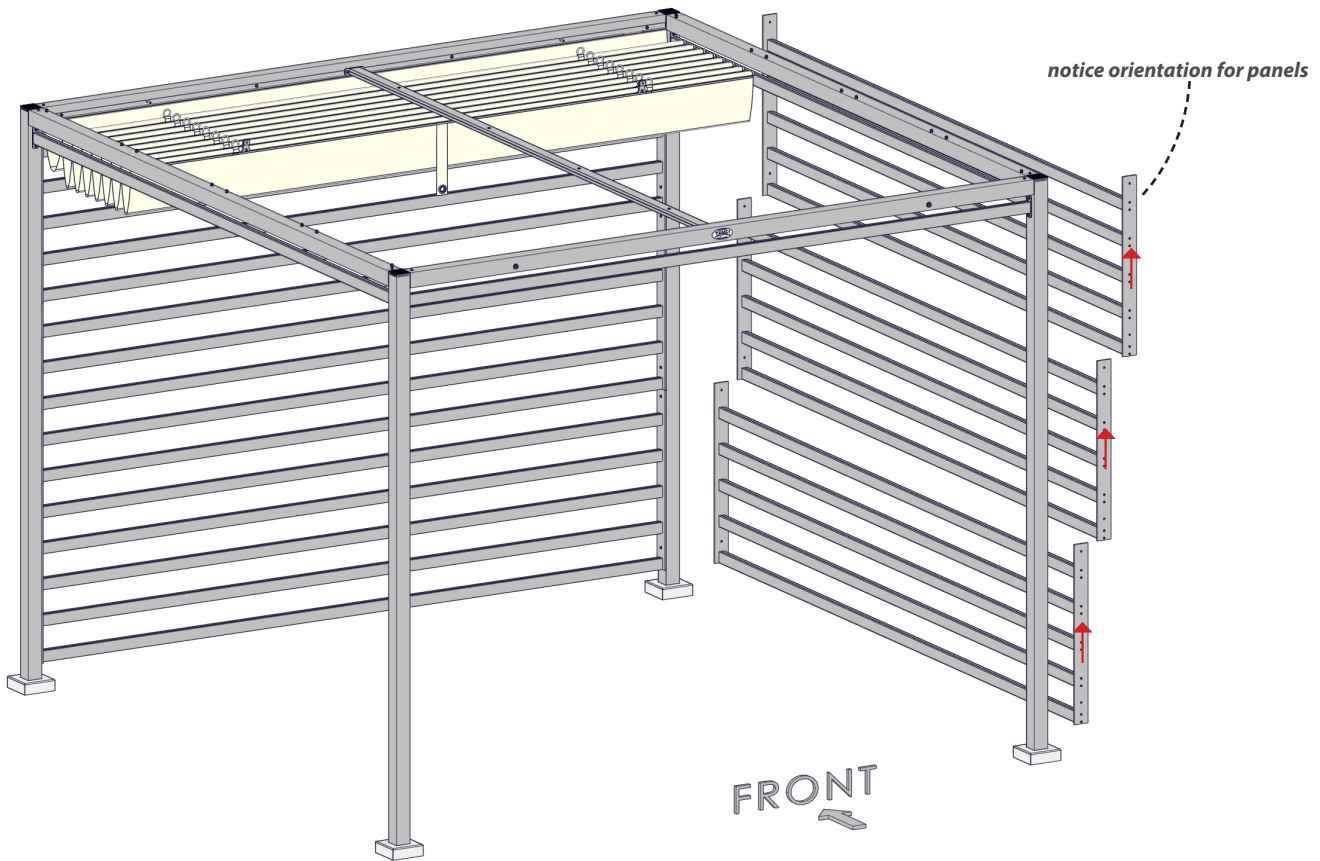
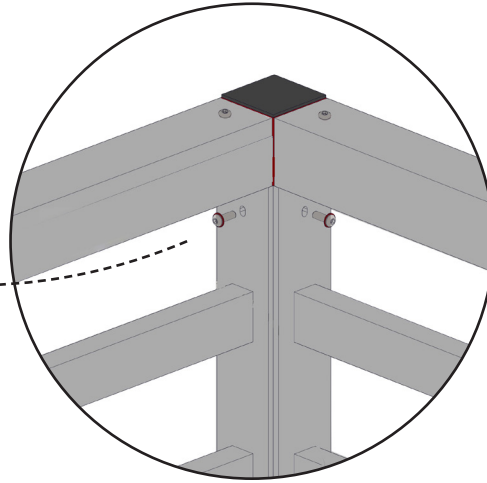
bushing, washer & turnbuckle



trellis wall frames installation

Step 6.

Install trellis wall frames using:
1/4"-20 x 3/4" ButtonHd.Skt.Cap
Screw 18-8 SS & flat washers

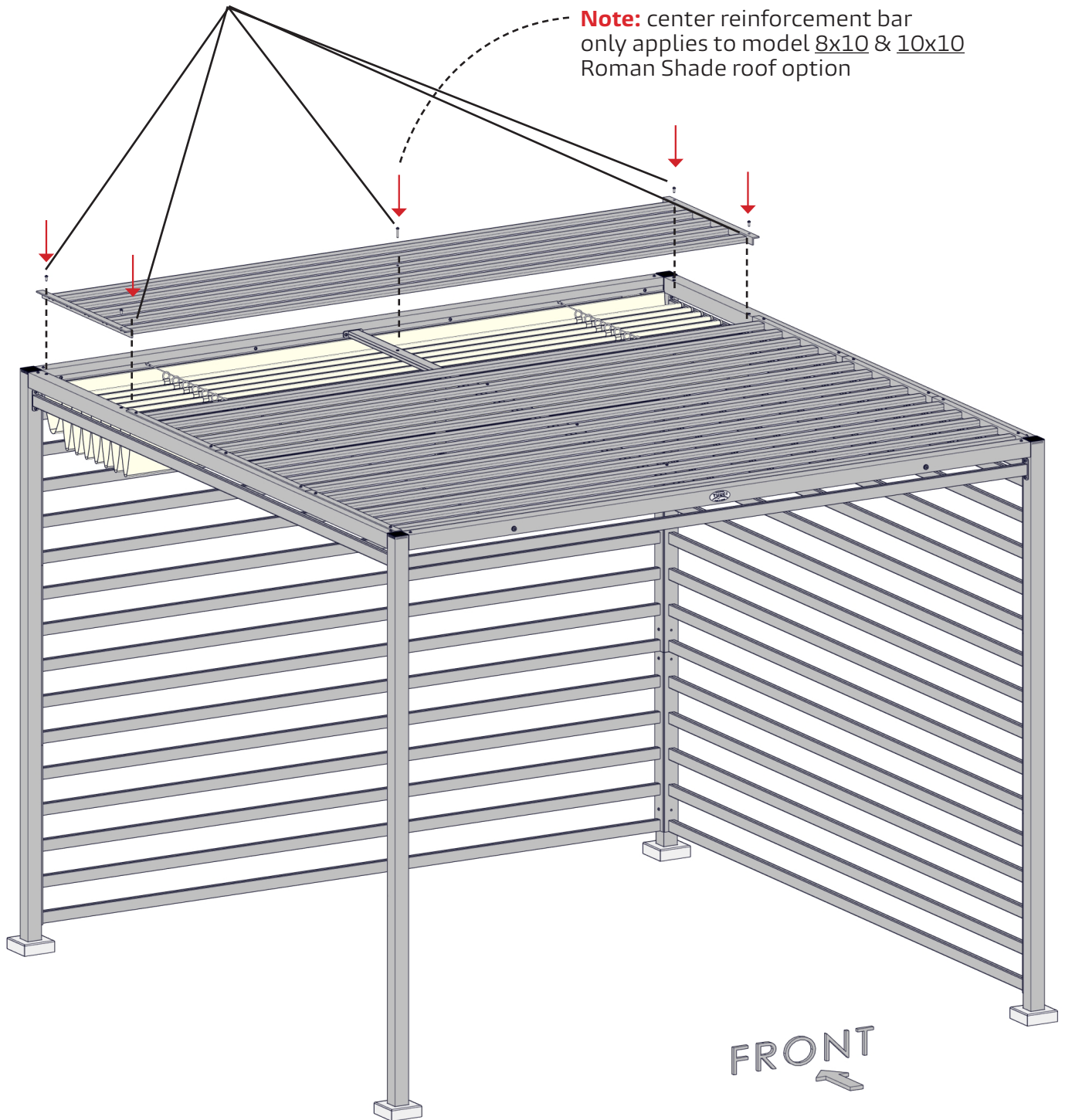


trellis roof frames installation

Step 7.

Install trellis roof frames using:
1/4"-20 x 3/4" ButtonHd.Skt.Cap
Screw 18-8 SS & flat washers

Note: center reinforcement bar
only applies to model 8x10 & 10x10
Roman Shade roof option



Base Installations

Step 1

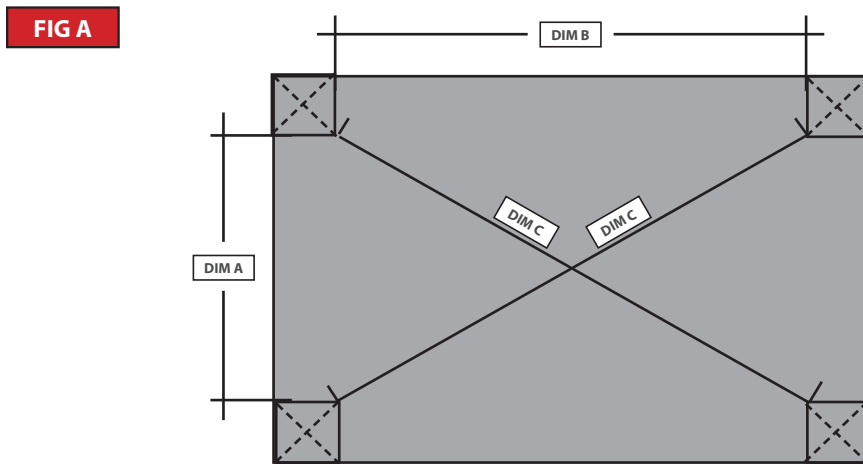
Select your cabana dimension from the table below.

CABANA SIZE	DIM A	DIM B	DIM C
8' SQUARE	91"	91"	128 ¹³ / ₁₆ "
10' SQUARE	115"	115"	162 ³ / ₄ "
8' X 10' RECTANGLE	91"	115"	146 ³ / ₄ "

Step 2

Mark from edge locations for each column and their diagonal dimensions. Using the chalk line (not included), trace the line from center of each mark.

Attention: Accuracy in diagonal dimensions are crucial to ensure the proper alignment of cabana.



Step 3.

Once stationed in its location mark the hole for each base.

Step 4.

Move the cabana aside and drill holes per bolt specifications.

Note: Hardware for concrete mounting included.

- SS 3/8" - 16 x 1" Hex Tap Bolt (use: drill bit size 1/2" diameter)
- 3/8" Stainless Steel Lock Washer
- Washer, 0.77" ODx0.42" IDx0.08" Thick, Stainless Steel
- 3/8-16x1-9/16" lag concrete steel dropin
- (12) of each of the above per cabana



Note: Wood mounting hardware NOT included.

- For wood mounting use:
- 1/2" x 3" Stainless Steel Wood Screws
 - (12) screws per cabana

